

Mounting Accessories

for Guide Rollers GN 753.1 / GN 753, Stainless Steel

SPECIFICATION

Types

- Type **U**: Washer
- Type **E**: Adjusting washer
- Type **AO**: Bushing, no centering
- Type **AE**: Bushing, one-sided centering
- Type **AB**: Bushing, two-sided centering

Stainless steel AISI 303 **NI**

Plain finish

INFORMATION

Mounting accessories GN 753.2 are designed for guide rollers GN 753.1 (see page) and GN 753 (see page 1106). With washers of type U, guide rollers are fastened compactly and elegantly with a countersunk screw. Washers of type E feature an eccentric fastening hole to allow the radial adjustment of guide rollers.

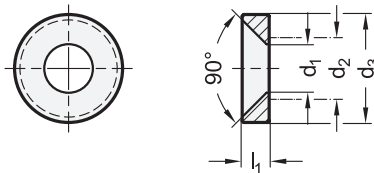
With bushings of types AO, AE and AB, one or more guide rollers can be mounted with defined spacing between them or relative to the mounting surface. The centering collar in types AE and AO positions the bushings and ensures positive locking with the mounting bore.

TECHNICAL INFORMATION

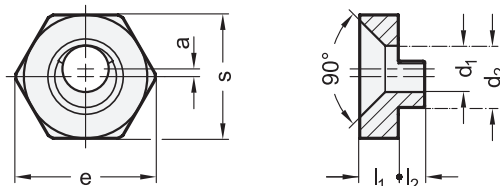
- Stainless Steel Characteristics (see page A26)



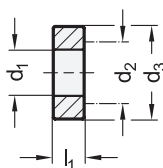
Type U



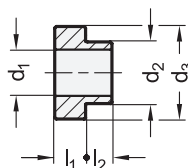
Type E



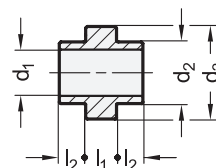
Type AO



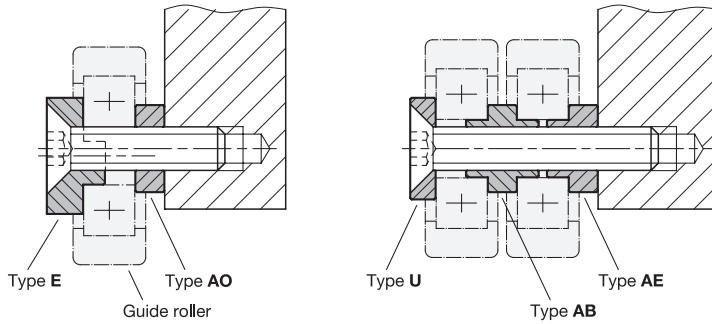
Type AE



Type AB



Application examples



GN 753.2-U

STAINLESS STEEL

Description	d ₁	d ₂ Bore guide roller	l ₁	d ₃	Suitable for GN 753 Identification no. 1	Suitable for GN 753.1 Identification no. 1	For countersunk screws	⚖
GN 753.2-4-5-2,5-U-NI	4	5	2.5	10	19-B5	22-B5	M 4	1
GN 753.2-5-6-3-U-NI	5	6	3	12	19-B6, 22-B6, 26-B6	25-B6	M 5	2
GN 753.2-6-8-3,5-U-NI	6	8	3.5	14	22-B8	30-B8	M 6	3
GN 753.2-8-10-4,5-U-NI	8	10	4.5	18	26-B10	35-B10, 42-B10, 50-B10	M 8	5

GN 753.2-E

STAINLESS STEEL

Description	d ₁	d ₂ Bore guide roller	l ₁	a	e	l ₂	s	Suitable for GN 753 Identification no. 1	Suitable for GN 753.1 Identification no. 1	For countersunk screws	⚖
GN 753.2-4-5-3,5-E-NI	4	5	3.5	0.5	11.3	2	10	19-B5	22-B5	M 4	2
GN 753.2-5-6-4-E-NI	5	6	4	0.5	14.7	2.5	13	19-B6, 22-B6, 26-B6	25-B6	M 5	4
GN 753.2-6-8-5-E-NI	6	8	5	1	18.1	3	16	22-B8	30-B8	M 6	7
GN 753.2-6-10-5-E-NI	6	10	5	1	18.1	3	16	26-B10	35-B10	M 6	8
GN 753.2-8-10-6-E-NI	8	10	6	1	23.7	4	21	26-B10	42-B10, 50-B10	M 8	14

GN 753.2-AO

STAINLESS STEEL

Description	d ₁	d ₂ Bore guide roller	l ₁	d ₃	Suitable for GN 753 Identification no. 1	Suitable for GN 753.1 Identification no. 1	For screws	⚖
GN 753.2-4-5-3-AO-NI	4	5	3	8	19-B5	22-B5	M 4	1
GN 753.2-5-6-3-AO-NI	5	6	3	10	19-B6, 22-B6, 26-B6	25-B6	M 5	2
GN 753.2-6-8-4-AO-NI	6	8	4	12	22-B8	30-B8	M 6	3
GN 753.2-8-10-3-AO-NI	8	10	3	14	26-B10	35-B10	M 6	5
GN 753.2-8-10-4-AO-NI	8	10	4	18	26-B10	42-B10, 50-B10	M 8	6

GN 753.2-AE

STAINLESS STEEL

Description	d ₁	d ₂ Bore guide roller	l ₁	d ₃	l ₂	Suitable for GN 753 Identification no. 1	Suitable for GN 753.1 Identification no. 1	For screws	⚖
GN 753.2-4-5-3-AE-NI	4	5	3	8	2	19-B5	22-B5	M 4	1
GN 753.2-5-6-3-AE-NI	5	6	3	10	2.5	19-B6, 22-B6, 26-B6	25-B6	M 5	2
GN 753.2-6-8-4-AE-NI	6	8	4	12	3	22-B8	30-B8	M 6	3
GN 753.2-8-10-3-AE-NI	8	10	3	14	3.5	26-B10	35-B10	M 6	4
GN 753.2-8-10-4-AE-NI	8	10	4	18	4	26-B10	42-B10, 50-B10	M 8	7

GN 753.2-AB

STAINLESS STEEL

Description	d ₁	d ₂ Bore guide roller	l ₁	d ₃	l ₂	Suitable for GN 753 Identification no. 1	Suitable for GN 753.1 Identification no. 1	For screws	⚖
GN 753.2-4-5-3-AB-NI	4	5	3	8	2	19-B5	22-B5	M 4	1
GN 753.2-5-6-3-AB-NI	5	6	3	10	2.5	19-B6, 22-B6, 26-B6	25-B6	M 5	2
GN 753.2-6-8-4-AB-NI	6	8	4	12	3	22-B8	30-B8	M 6	4
GN 753.2-8-10-3-AB-NI	8	10	3	14	3.5	26-B10	35-B10	M 6	6
GN 753.2-8-10-4-AB-NI	8	10	4	18	4	26-B10	42-B10, 50-B10	M 8	8

